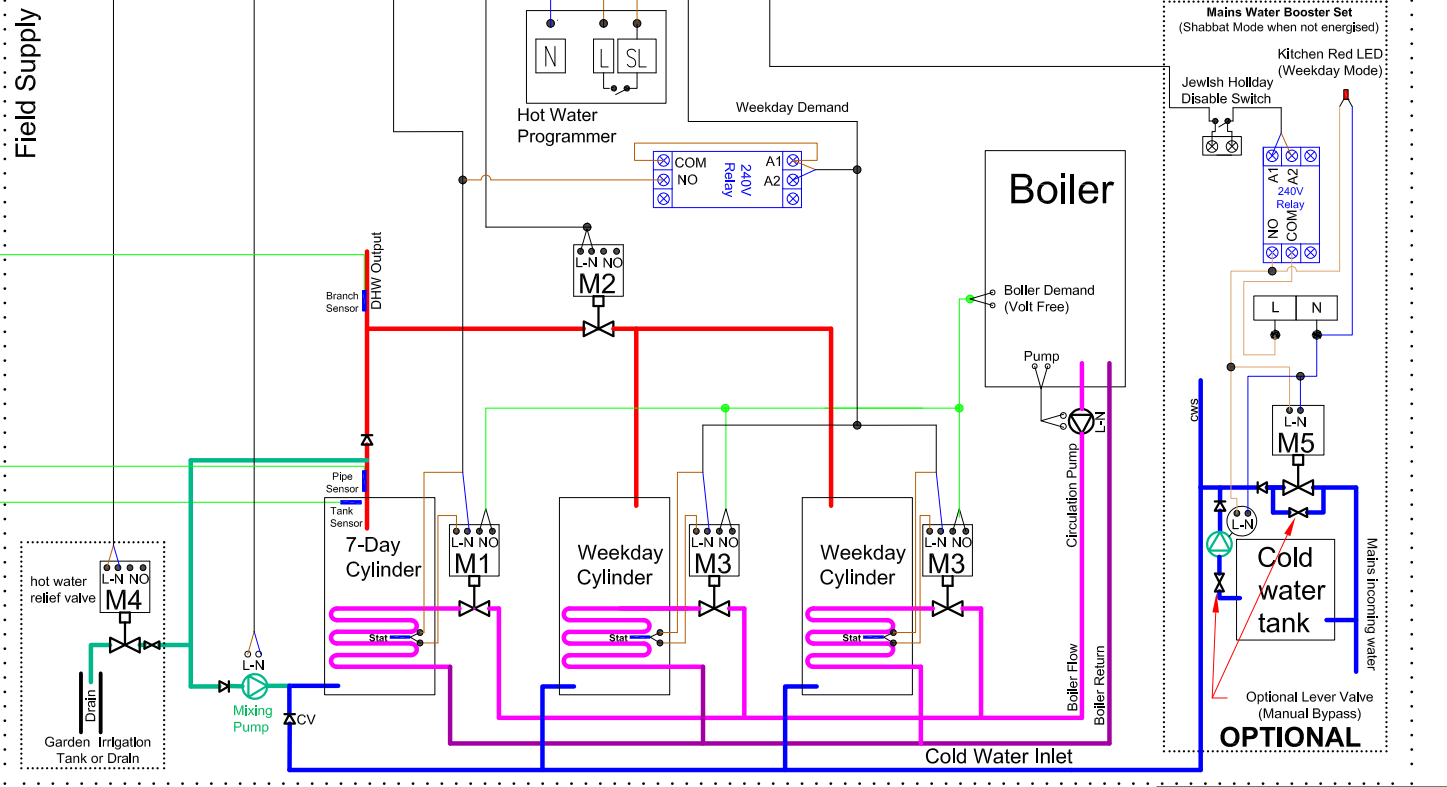


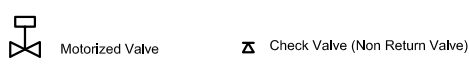
Field Supply



M1 M2 M3 M4 Normally Closed Valve (10Bar) WRAS ABVM08S/2+AR (Normally Closed).

M5 Normally Open Valve (10Bar) such as: WRAS ABVM08S/2+AR-NO (Normally Open).

Mixing Pump for 200 Litre Tanks, we recommend Grundfos UPS3 (contact us for larger hot water tanks)



This Document and the setup and logic described in this document is an intellectual property of Shabbat Smart Ltd.

Shabbat Smart Ltd
 Smart Controls for Shabbat
 85 Kentworth Road
 London
 HA8 8XA, UK
 Tel: +44 20 8004 9558
 Email: Info@ShabbatSmart.com
 Web: www.ShabbatSmart.com

Shabbat SMART

Name:	Shabbat Controller
Description:	Shabbat Hot Water 7-Day Three Cylinders
Ver:	v15
Scale:	NTS
Page:	A4
Date:	12/04/2022