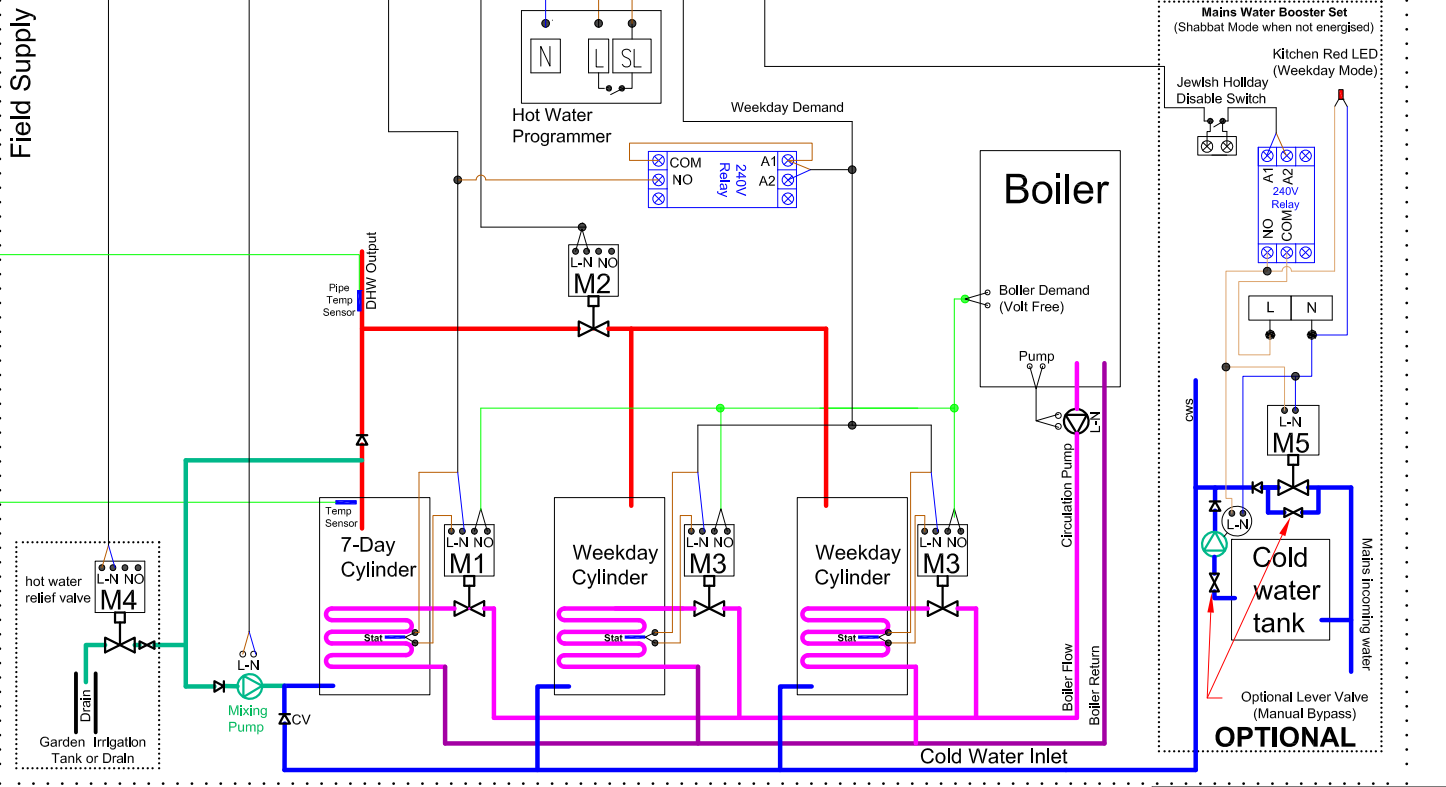


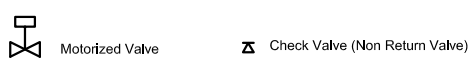
Field Supply



M1, M2, M3, M4 Normally Closed Valve (10Bar) WRAS ABVM08S/2+AR (Normally Closed).

M5 Normally Open Valve (10Bar) such as: WRAS ABVM08S/2+AR-NO (Normally Open).

Mixing Pump for 200 Litre Tanks, we recommend Grundfos UPS3 (contact us for larger hot water tanks)



This Document and the setup and logic described in this document is an intellectual property of Shabbat Smart Ltd.

Shabbat Smart Ltd Smart Controls for Shabbat 85 Kentworth Road London HA8 8XA, UK Tel: +44 20 8004 9558 Email: Info@ShabbatSmart.com Web: www.ShabbatSmart.com	
Name:	Shabbat Controller
Description:	Shabbat Hot Water 7-Day Three Cylinders
Ver:	v12
Scale:	NTS
Page:	A4
Date:	01/02/2022